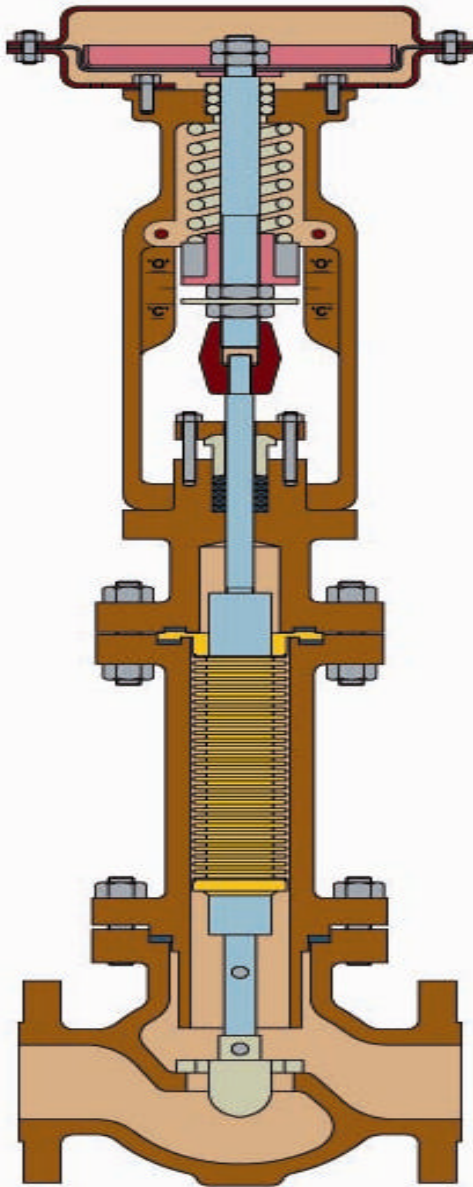


BELLOW SEAL CONTROL VALVE



SR.No.	PARTS	MATERIAL
1	BODY	A-216 Gr. WCB / A-351 Gr. CF8 / CF8M
2	SEAT RING	A-216 Gr. WCB / A351Gr.CF8 / CF8M
3	BONNET	A-216 Gr. WCB / A-351 Gr. CF8 / CF8M
4	STEM	AISI-410 / AISI-304 / 316
5	PLUG	AISI-410 / AISI-304 / 316
6	GASKET	SPW. SS-304 + GRAPHITE
7	FASTENERS	A-193 Gr.B7 / A-194 Gr. 2H / A-193 Gr.B8 / A-194 Gr. 8
8	BELLOW	AISI-321 / 316Ti / 316L
9	PACKING	GRAPHITE
10	GLAND BUSH	AISI-410 / AISI-304 / 316
11	GLAND FLANGE	CARBON STEEL / AISI-304 / 316
12	MIDDLE COLLAR	AISI-316
13	BOTTOM COLLAR	AISI-316
14	TOP COLLAR	AISI-316
15	ACTUATOR	CARBON STEEL
16	SPRING	SPRING STEEL
17	COUPLING	CARBON STEEL

TECHNICAL DATA

- Face to Face as per ANSI -B- 16.10
- Flange End as per ANSI -B- 16.5
- Valve Designed to BS 1873
- Valve Tested to API - 598 / BS - 5146

TEST PRESSURE	150 #	300 #
BODY (HYDRO)	32 Kg/cm ²	76 Kg/cm ²
SEAT (HYDRO)	23 Kg/cm ²	55 Kg/cm ²
SEAT (AIR)	07 Kg/cm ²	07 Kg/cm ²

CLASS : 150

SIZE - NB (MM)	15	20	25	40	50	80	100	150	200	250	300	350	400
FACE TO FACE	108	118	127	165	203	241	292	406	495	622	699	787	914
FLANGE DIAMETER	89	99	108	127	152	191	229	279	343	406	483	533	597
FLANGE THICKNESS	11	13	14.5	18	19	25	25	26	29	30	32	35	37
RAISED FACE DIAMETER	35	43	51	73	92	127	157	216	270	324	381	413	470
RAISED FACE THICKNESS	1.6	1.6	1.6	1.6	1.6	1.6	1.6	1.6	1.6	1.6	1.6	1.6	1.6
FLANGE P.C.D.	60	70	79	98	121	152	191	241	299	362	432	476	540
No.of HOLES / HOLE DIA.	4/16	4/16	4/16	4/16	4/19	4/19	8/19	8/22	8/22	12/25	12/25	12/28	16/28

CLASS : 300

SIZE - NB (MM)	15	20	25	40	50	80	100	150	200	250	300	350	400
FACE TO FACE	153	178	203	229	267	318	356	445	59	622	711	838	863
FLANGE DIAMETER	96	118	124	156	165	210	254	318	381	446	521	584	648
FLANGE THICKNESS	14	16	18	21	22	29	32	37	41	16	16	20	20
RAISED FACE DIAMETER	35	43	51	73	92	127	157	216	270	324	381	413	470
RAISED FACE THICKNESS	1.6	1.6	1.6	1.6	1.6	1.6	1.6	1.6	1.6	1.6	1.6	1.6	1.6
FLANGE P.C.D.	67	83	89	114	127	168	200	270	330	387	451	514	572
No.of HOLES / HOLE DIA.	4/16	4/19	4/19	4/22	8/19	8/22	8/22	12/22	12/25	16/28	16/32	20/32	20/35